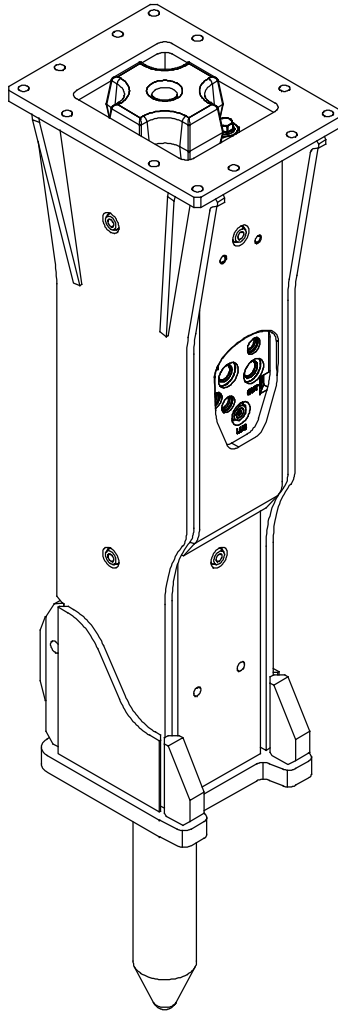


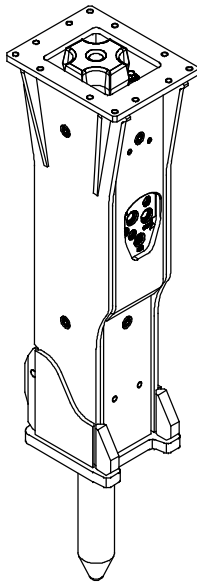
EN Spare parts manual



XL 1300

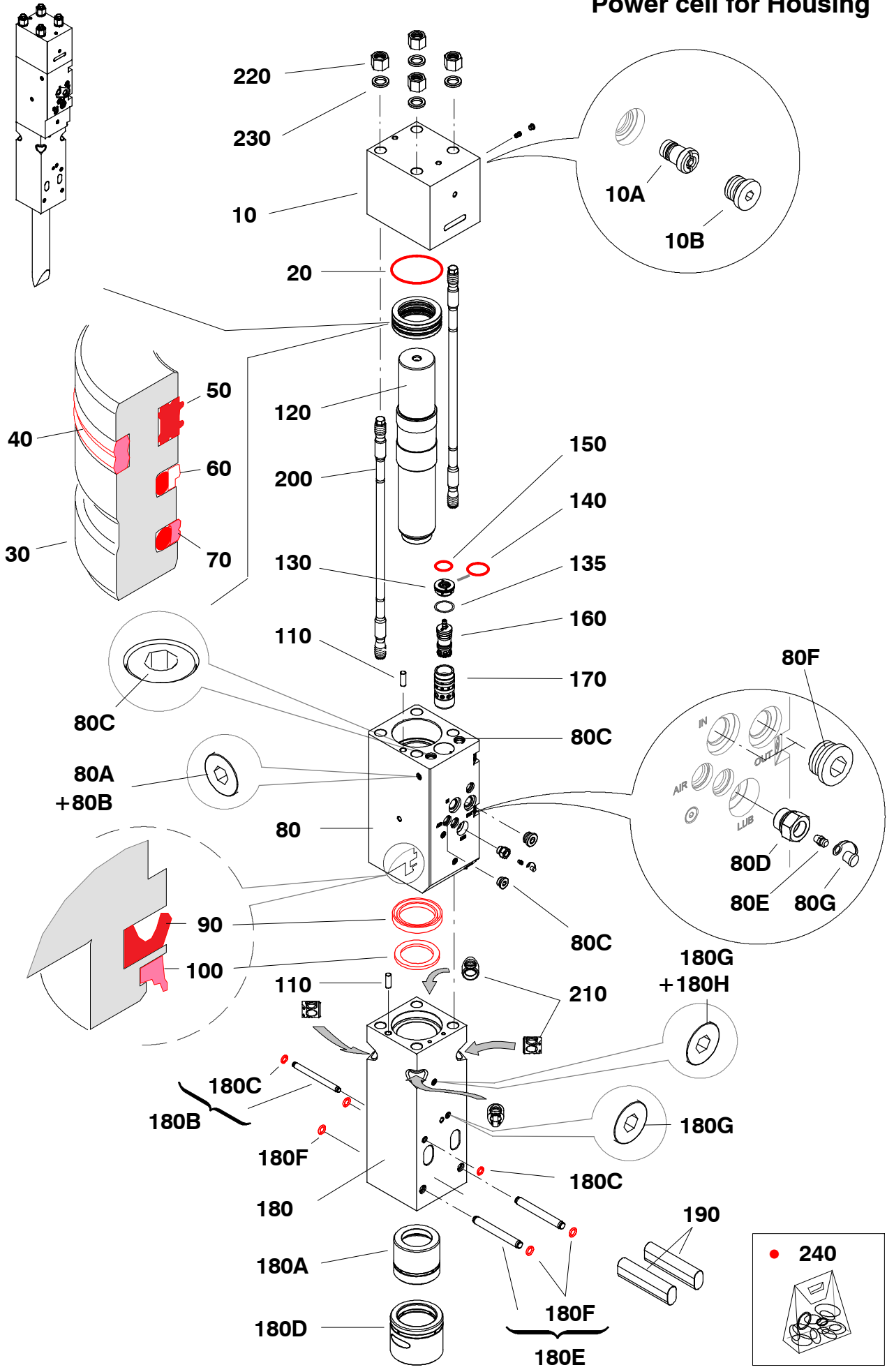


BREAKER



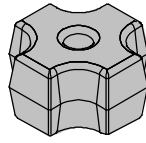
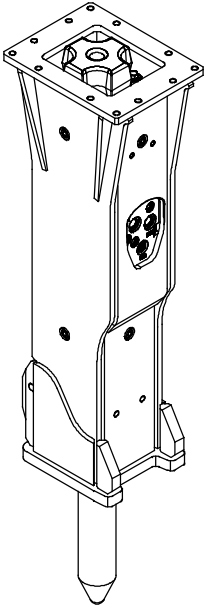
Housing

Power cell for Housing

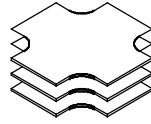


Item	Qty	CPN	Description
10	1	86726478	Back head includ. :
10A	1	86600632	(Valve
10B	1	86693538	(Threaded plug
• 20	1	86725686	O'ring
30	1	86723871	Seals casing
• 40	1	86725504	Seal
• 50	1	86726114	Seal
• 60	1	86726122	Seal
• 70	1	86726130	Seal
80	1	86726486	Cylinder includ. :
80A	8	86678612	(Glued threaded plug 1/4
80B	8	86240389	(Seal ring
80C	5	86693488	(Glued threaded plug 3/4
80D	1	86691425	(Threaded plug
80E	1	86655354	(Oiler
80F	2	86703410	(Threaded plug
80G	1	86466919	(Oiler protection
• 90	1	86725603	Lip seal
• 100	1	86725611	Scraper seal
110	2	86350014	Pin
120	1	86723582	Strike piston
130	1	86721941	Distribution cover
135	x	86728573	Shim
• 140	1	86721172	O'ring
• 150	1	86694163	O'ring
160	1	86721958	Distributor
170	1	86719085	Distribution box
180	1	86726361	Front guide includ. :
180A	1	86723376	(Upper chuck bushing
180B	1	86723657	(Pin including :
• 180C	2	86737103	- O'ring
180D	1	86723368	(Lower chuck bushing
180E	2	86723673	(Pin including:
• 180F	2	86737111	- O'ring
180G	2	86678612	(Glued threaded plug 1/4
180H	1	86240389	(Seal ring
190	2	86723608	Retainer pin
200	4	86723707	Tie rod
210	4	86732500	Nut
220	4	86719093	Nut
230	4	86722139	Washer
240	1	86726072	Seal kit

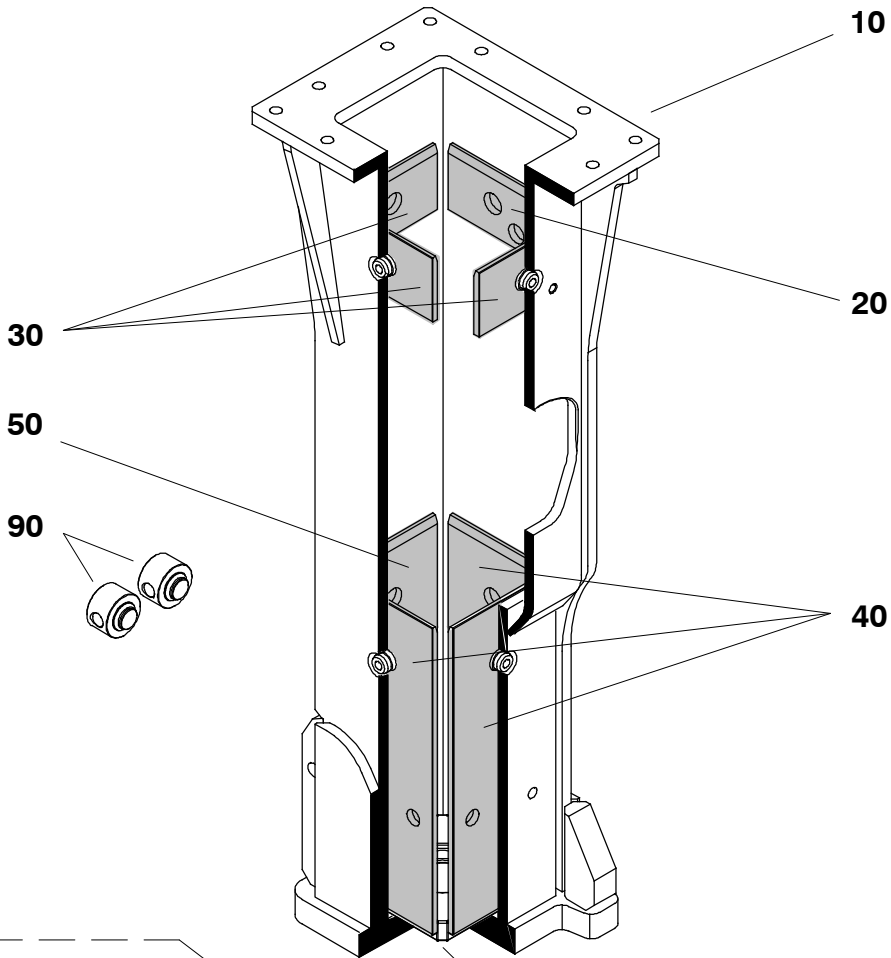
Housing



60



80



30

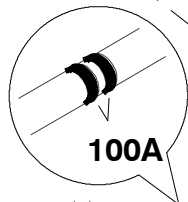
10

20

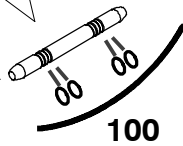
50

90

40

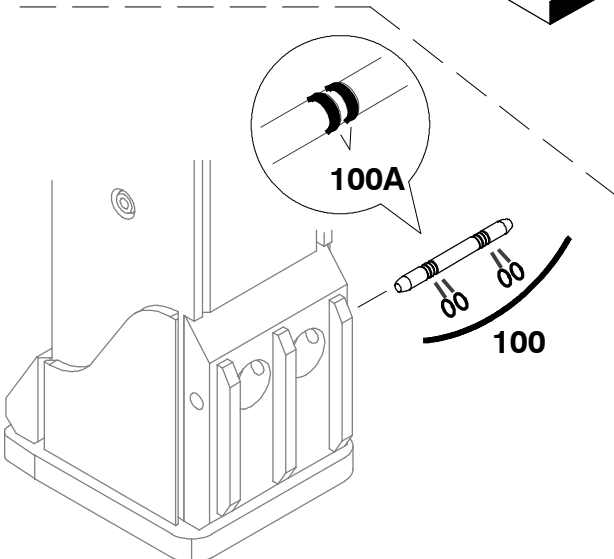
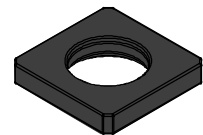


100A



100

70



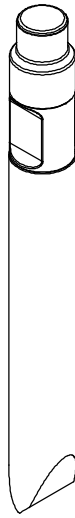


Item	Qty	CPN	Description
10	1	86723855	Housing including:
20	1	86726726	Plastic guiding slipper
30	3	86726718	Plastic guiding slipper
40	3	86726692	Plastic guiding slipper
50	1	86726684	Plastic guiding slipper
60	1	86723814	Upper dampener
70	1	86726650	Lower dampener
80	x	86726759	Shim- upper dampener - 2 mm
	x	86726767	Shim- upper dampener - 3 mm
	x	86726775	Shim- upper dampener - 4 mm
90	2	86723822	Plug
100	1	86723830	Stop pin including:
100A	4	86638467	(O'ring

10



20



30



40



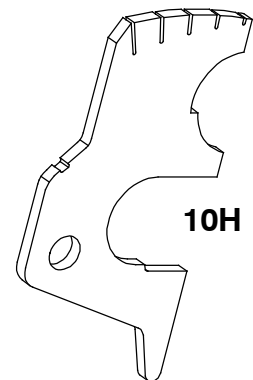
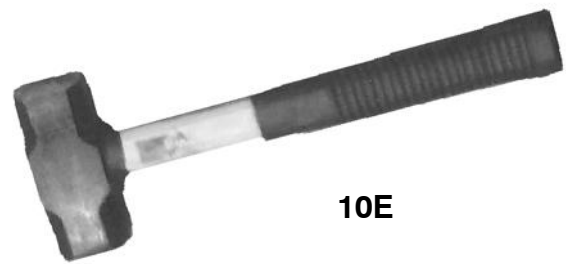
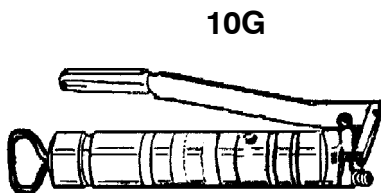
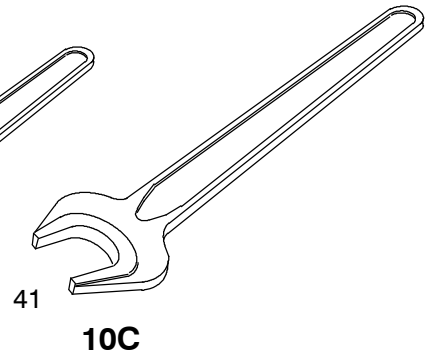
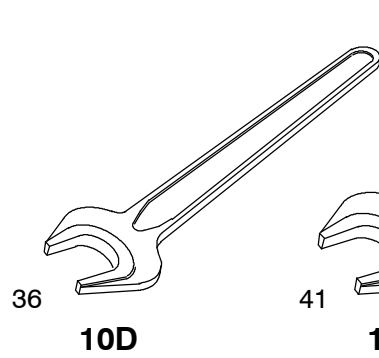
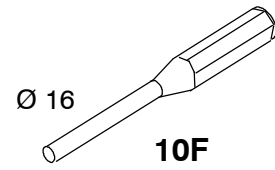
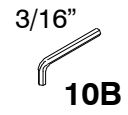
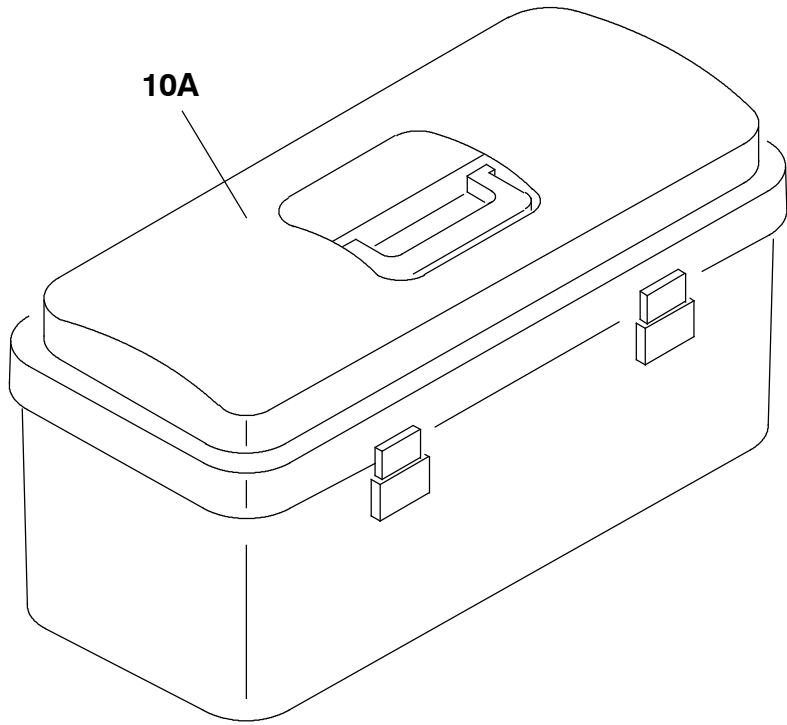
Item	Qty	CPN	Description
10	1	86723632	Moil point
20	1	86725652	Chisel
30	1	86725678	Blunt
40	1	86725660	Pyramidal point



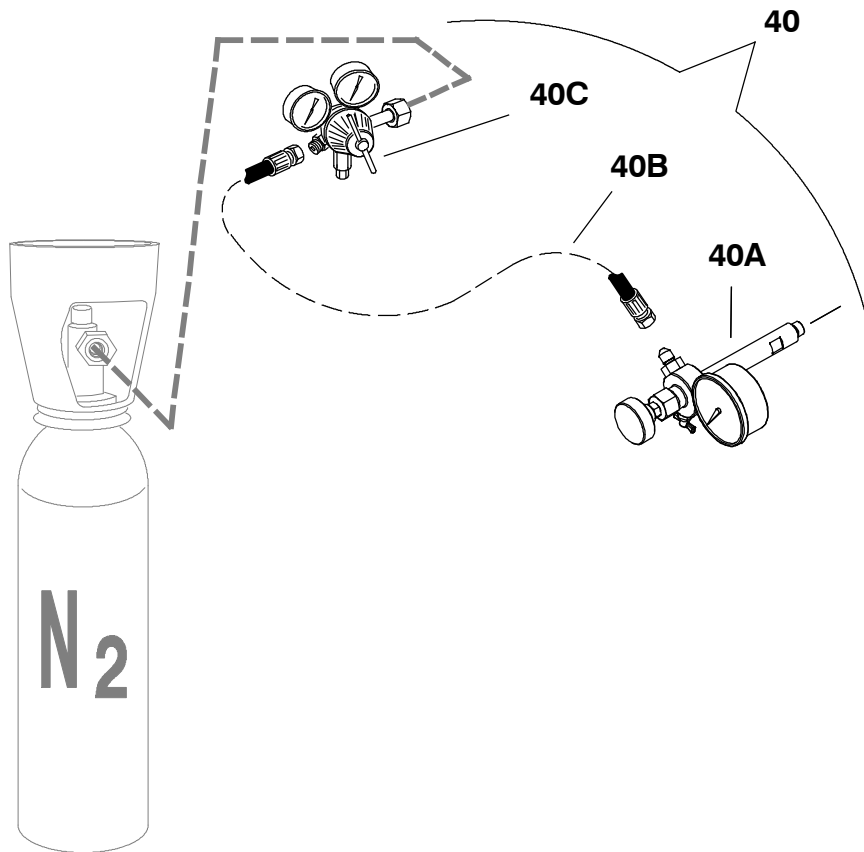
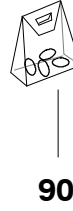
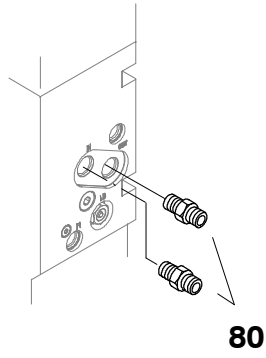
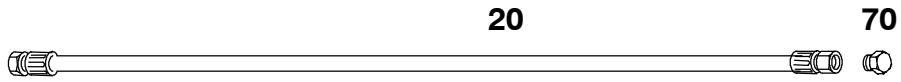
ACCESSORIES



86726023 : HAND TOOL BOX

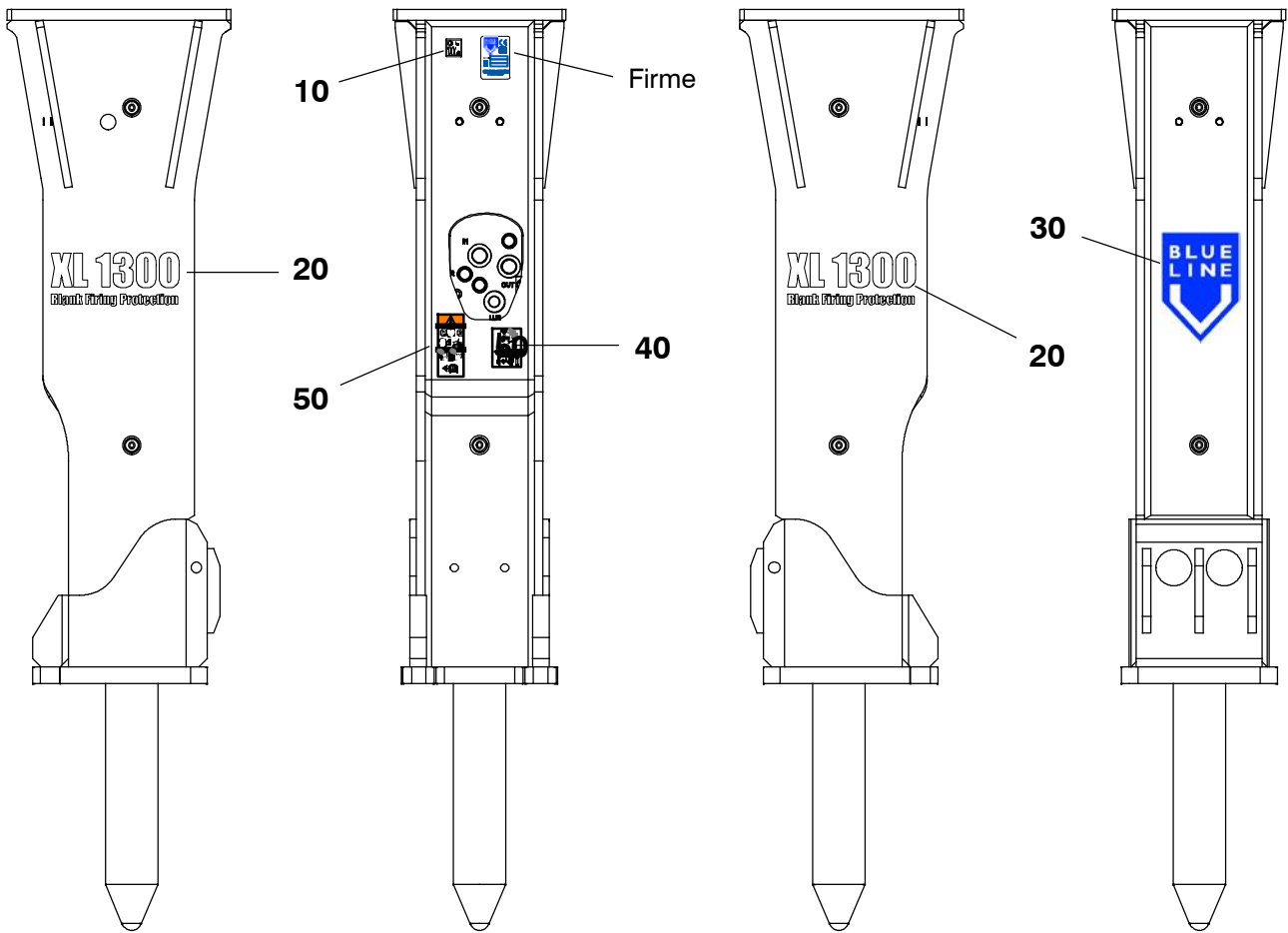


Item	Qty		Description
10	1	86726023	Hand tool box including:
10A	1	-	- Plastic tool box
10B	1	-	- Hexagonal key (3/16")
10C	1	-	- Open end wrench (41 mm)
10D	1	-	- Open end wrench (36 mm)
10E	1	-	- Sledge hammer
10F	1	-	- Pin punch (Ø16)
10G	1	-	- Hand gun grease
10H	1	86726031	- Checking tool

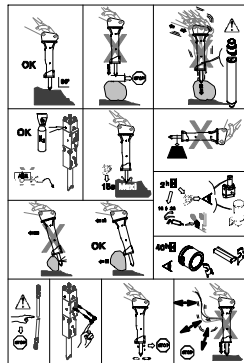




Item	Qty	CPN	Description
20	2	86660693	Hose : 2500mm
70	2	86250628	Plug JIC m1"1/16 (for hoses
80	2	86733961	Adaptor ORFS m1"3/16 / m1"JIS (on breaker)
90	4	86222791	O'ring - ORFS 1"3/16
40	1	86696499	Inflating kit including:
40A	1	86626017	(Inflating tool kit
40B	1	86704640	(Hose : 2000mm
40C	1	86704624	(Pressure reducing; Nitrogen



60

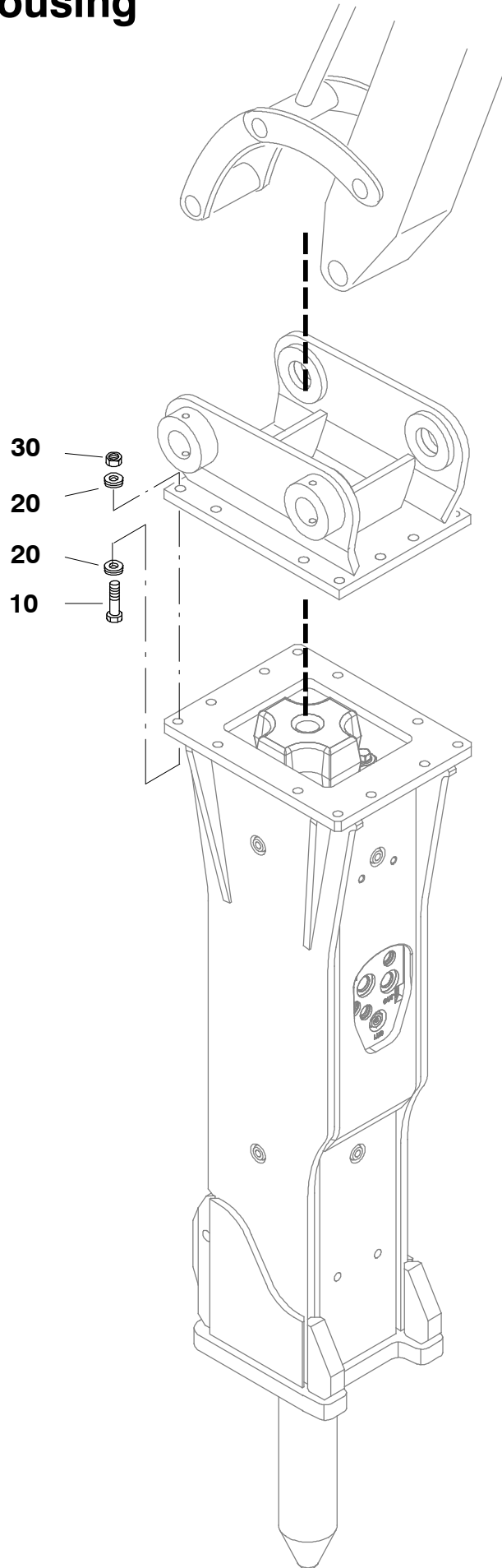


Item	Qty	CPN	Description
10	1	86602307	Adhesive label- Noise
20	2	86726064	Adhesive XL1300
30	1	86722618	Adhesive BLUE LINE
40	1	86723053	Maintenance sticker
50	1	86723087	Safety sticker
60	1	86702511	Sticker (on excavator)



FIT UP

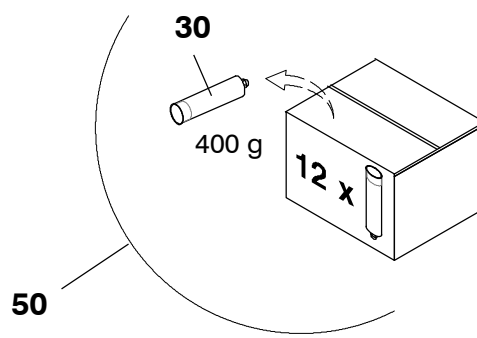
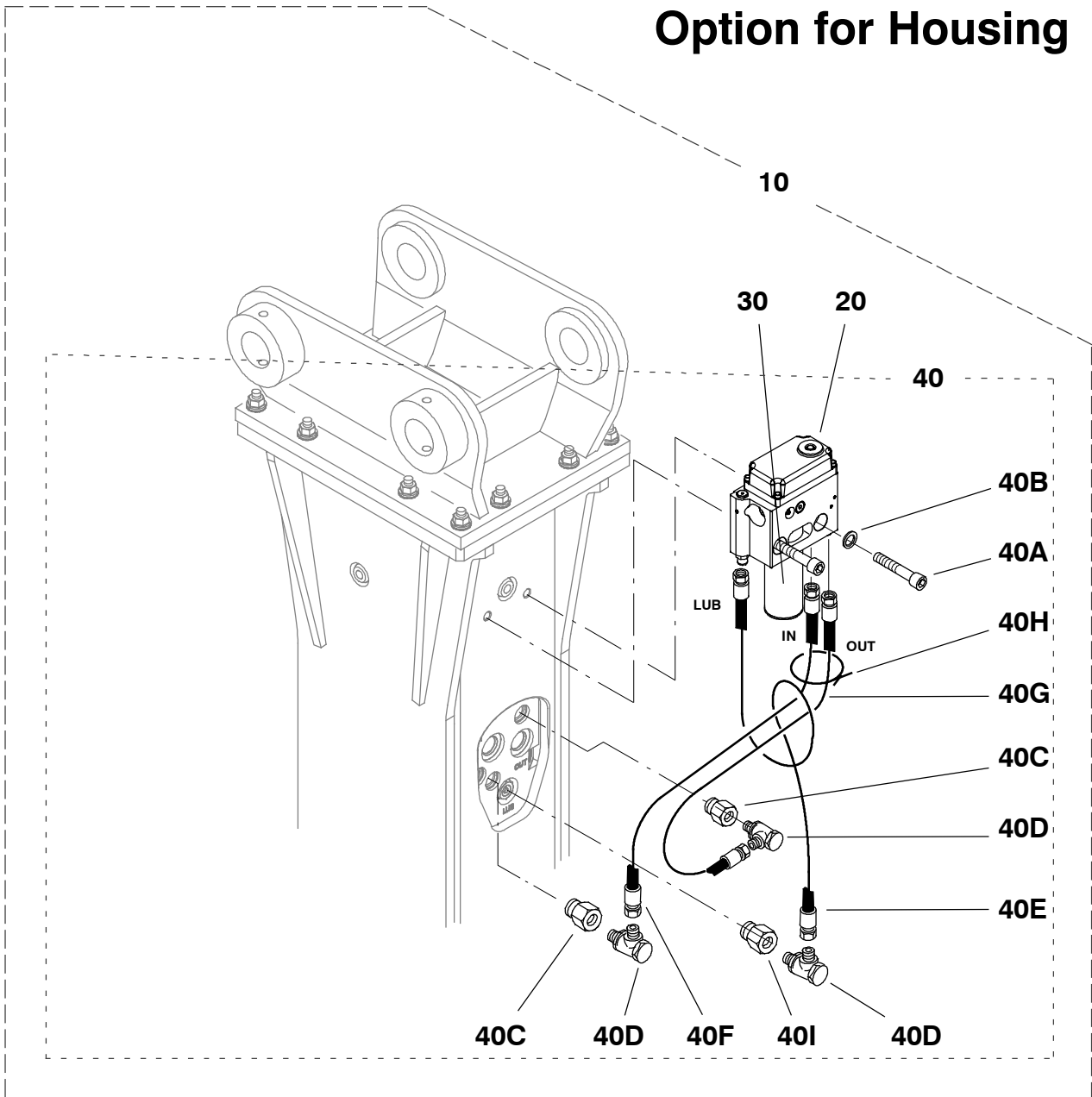
Housing





Item	Qty	CPN	Description
10	12	86576345	Bolt UNF 3/4"
20	24	86633849	Washer
30	12	86576352	Nut UNF 3/4"

Option for Housing



Item	Qty	CPN	Description
10	1	86731833	Grease pump kit including :
20	1	86603313	- Lubricating pump
30	1	xxxxxxx	- Grease cartridge
40	1	86731841	- Adaptation including
40A	2	86703287	(M16, socket head screw
40B	2	86384898	(Washer
40C	2	86722907	(Adapter
40D	3	86608528	(Adapter
40E	1	86608932	(Hose
40F	1	86608916	(Hose
40G	1	86608908	(Hose
40H	2	86260619	(Collar
40I	1	86702586	(Adapter
50	1	86617222	Grease cartridge (12/ Box

BLUE LINE®

203 , route de Grenoble
CS 80097
69805 Saint- Priest Cedex
France

www.montabert.com

