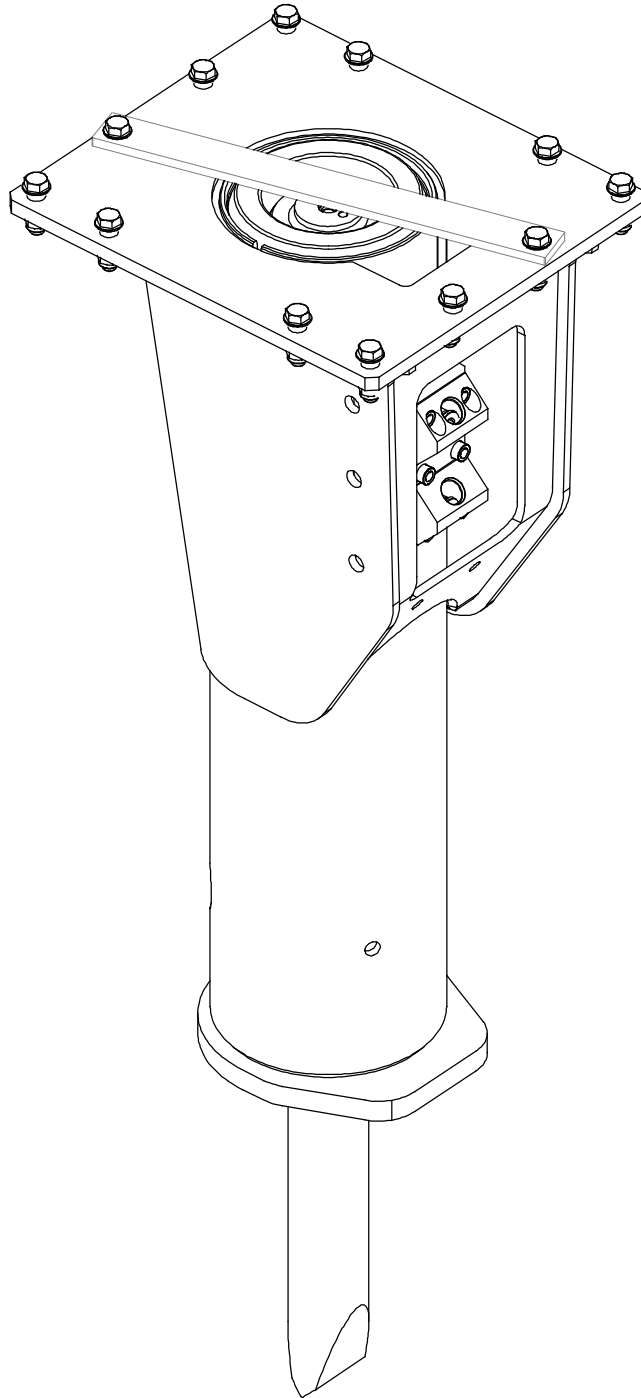
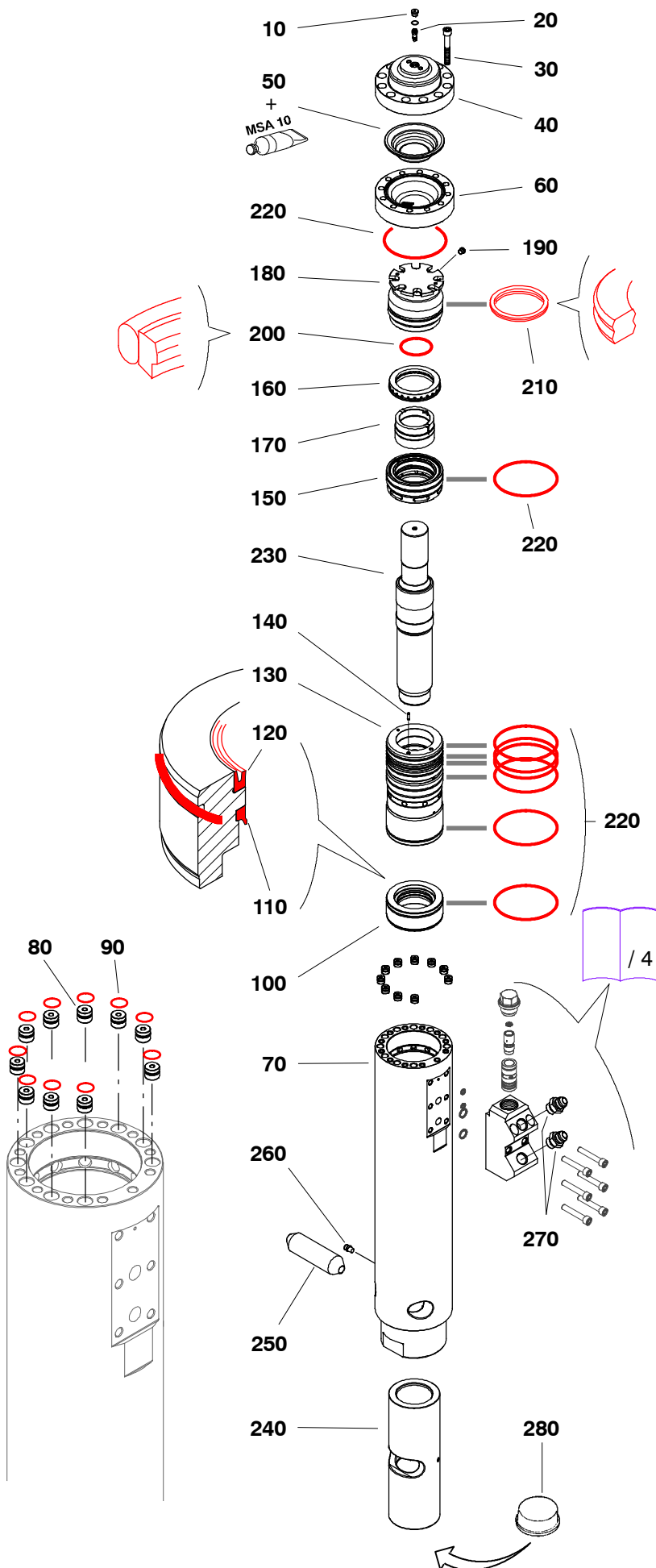




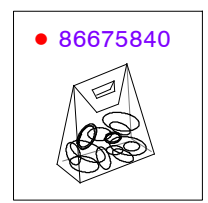
SC-42

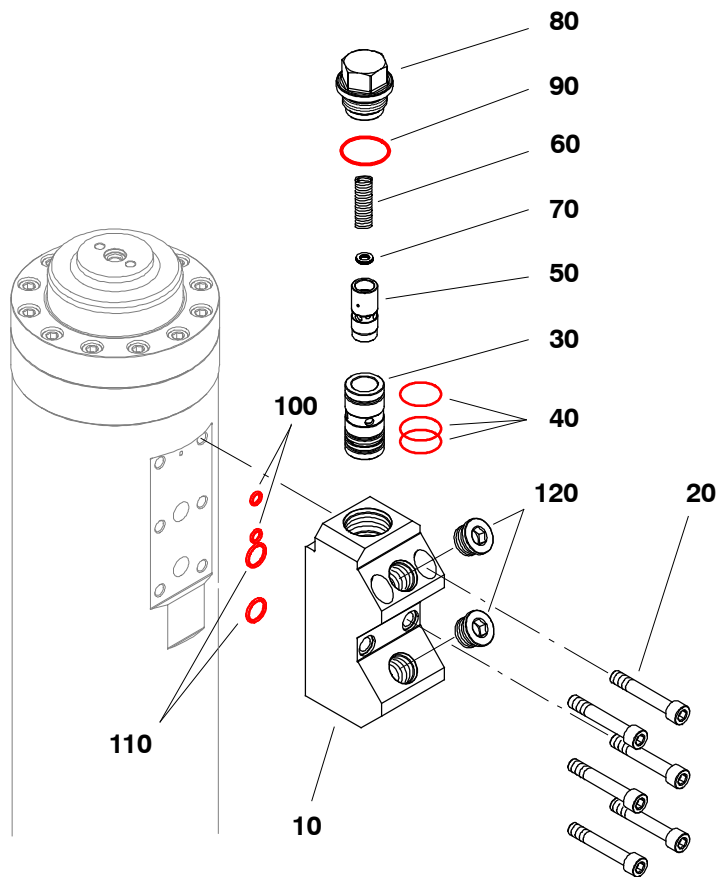
N/S : AC45 00101 ▶



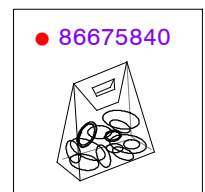


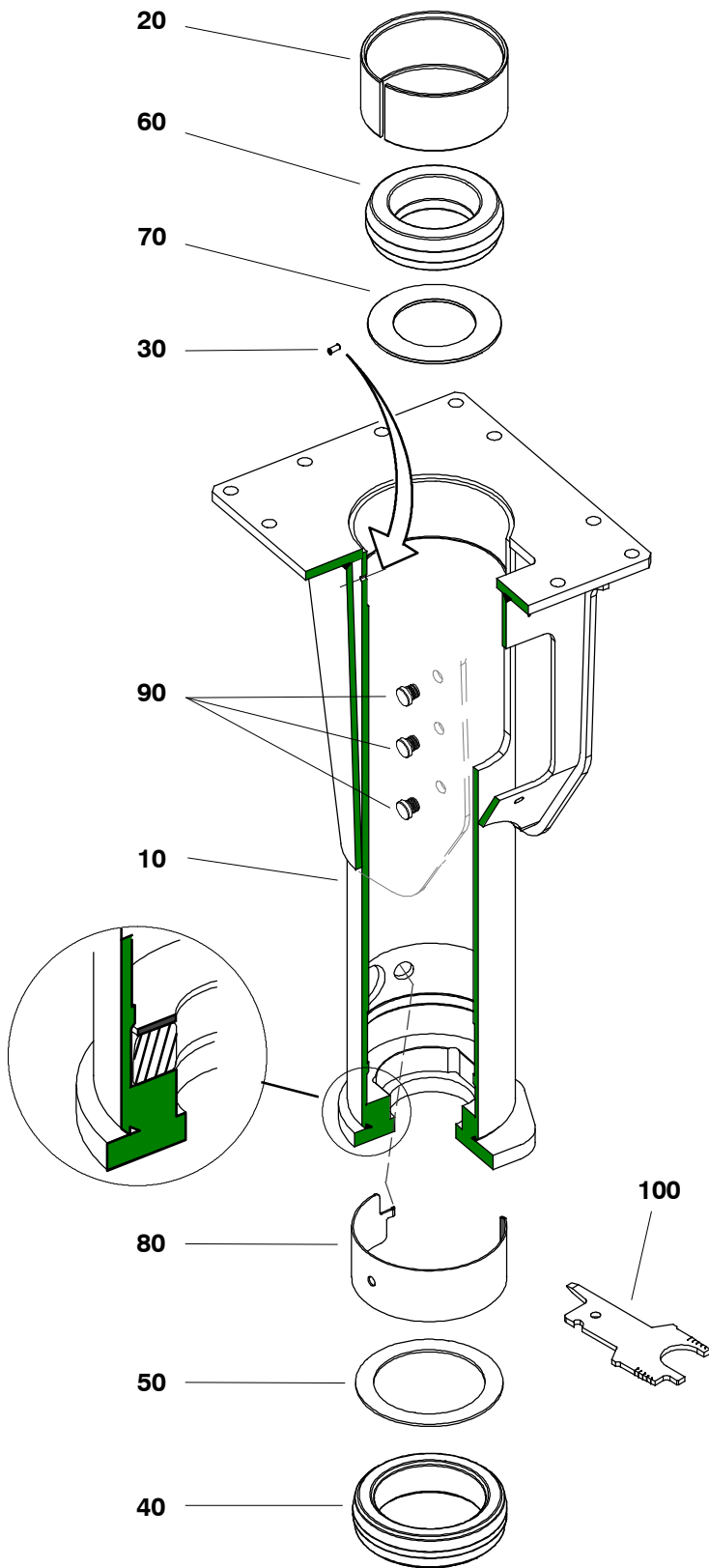
x ??	CPN	Description
10	1	86580966 Plug
20	1	86600632 Valve
30	12	95847927 Screw
40	1	86672755 Upper flange
50	1	86654688 Diaphragm
60	1	86665213 Lower flange
70	1	86665221 Body
80	10	86639275 Plug
90	10	86297017 O'ring
100	1	86665239 Seal casing
110	1	86656345 Scraper seal
120	1	86656337 Seal
130	1	86665247 Cylinder
140	1	86640976 Pin
150	1	86665254 Distribution box
160	1	86665262 Distributor cover
170	1	86665270 Distributor
180	1	86665288 Piston cover
190	1	86418365 Plug
200	1	86656352 Seal
210	1	86656360 Seal
220	8	86741311 O'ring
230	1	86665296 Strike piston
240	1	86665304 Bushing
250	1	86665312 Retaining pin
260	1	86655354 Oiler
270	2	95356960 Adaptor
280	1	86669561 Plastic plug



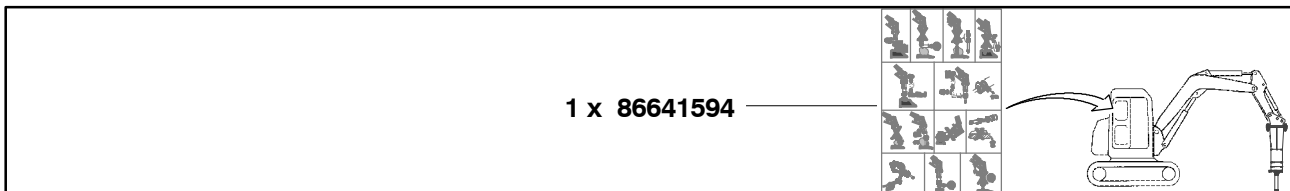
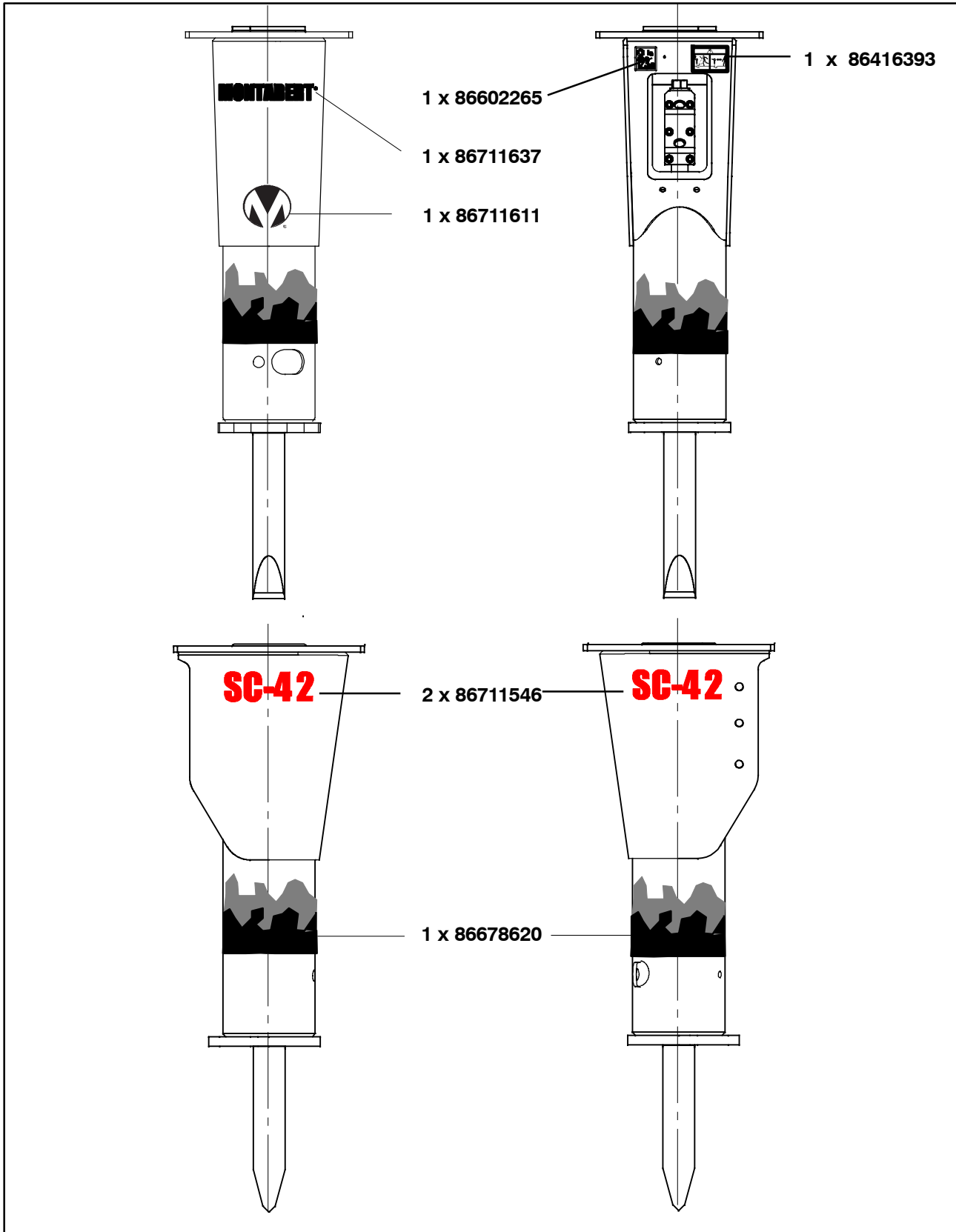


x ??	CPN	Description
10	1	86675592 Pressure regulator block
20	6	86676970 Screw
30	1	86645918 Lining
40	3	86634649 O'ring
50	1	86670460 Slide
60	1	86605417 Spring
70	10	86719416 Shim
80	1	86645892 Plug
90	1	86309689 O'ring
100	2	86349982 Seal
110	2	86355906 Seal
120	2	86484565 Plug

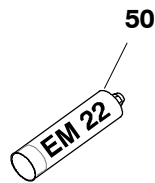
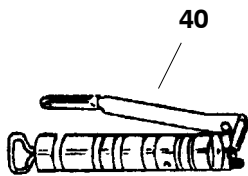
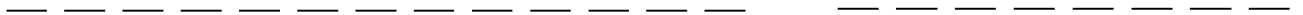
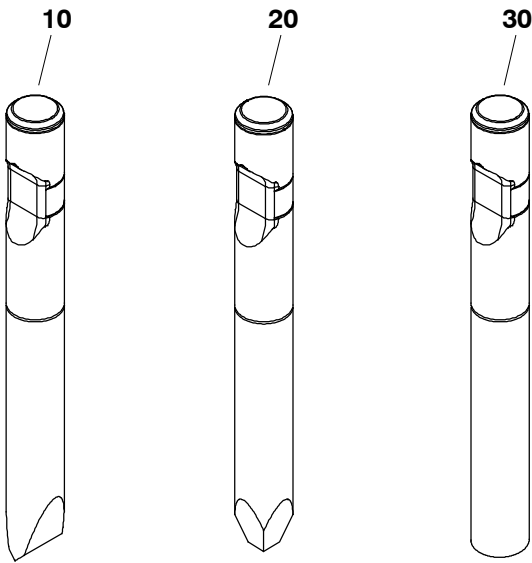




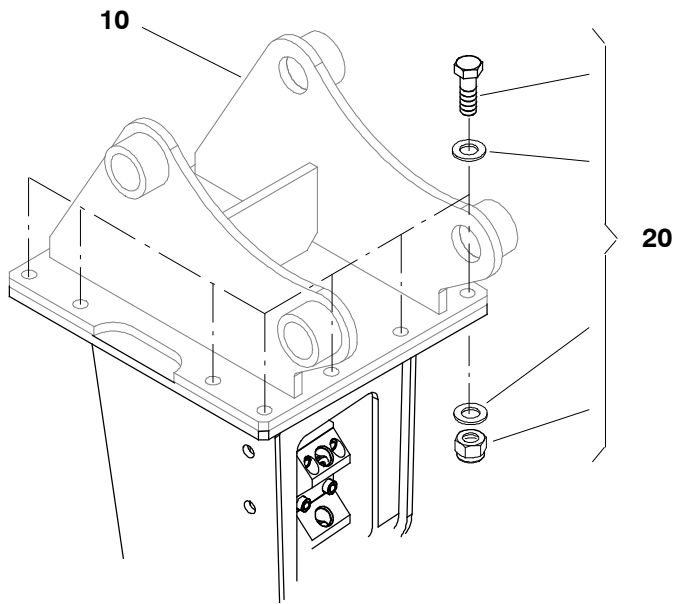
	x ??	CPN	Description	
	10	1	86673340	Housing
	20	1	86647187	Retainer clamp
	30	1	86226768	Pin
	40	1	86673266	Lower dampener
	50	1	86673365	Support disk
	60	1	86673464	Upper dampener
	70	1	86646155	Support plate
	80	1	86673357	Retainer clamp
	90	3	86655255	Plastic plug
	100	1	86676772	Pentagonal check device



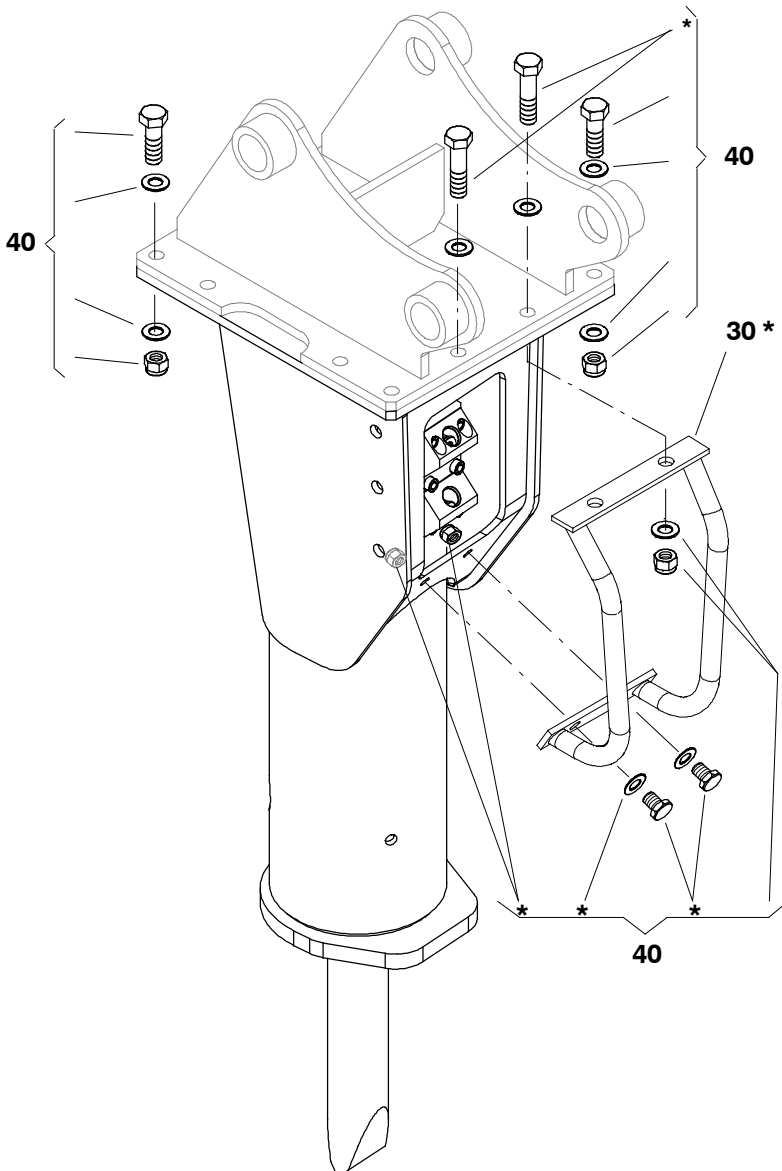
x ??	CPN	Description
10	1	86665361 Chisel
20	1	86665338 Pyramidal point
30	1	86685047 Blunt



40	1	86261328 Handle greasing pump
50	1	86476314 Grease cartridge



x ??	CPN	Description
10	1	86633484 Fixing support
20	1	86679529 Screwing kit



30	1	86656766 Hose protection
40	1	86679537 Screwing kit

*	1	86656642 Hose protection kit
---	---	------------------------------

MONTABERT[®]

203 Route de Grenoble
CS 80097
69805 SAINT PRIEST
France

www.montabert.com

