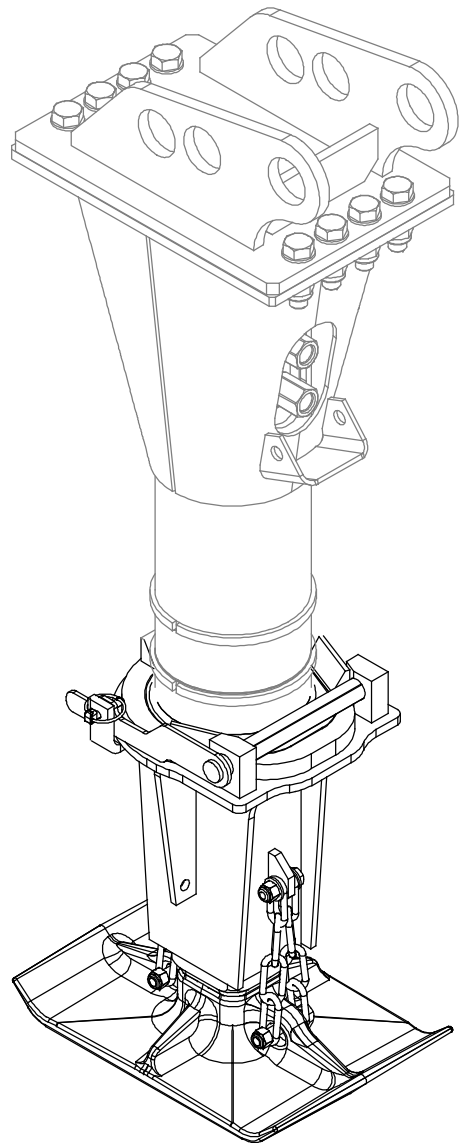
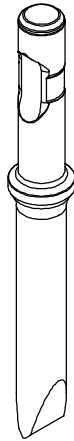
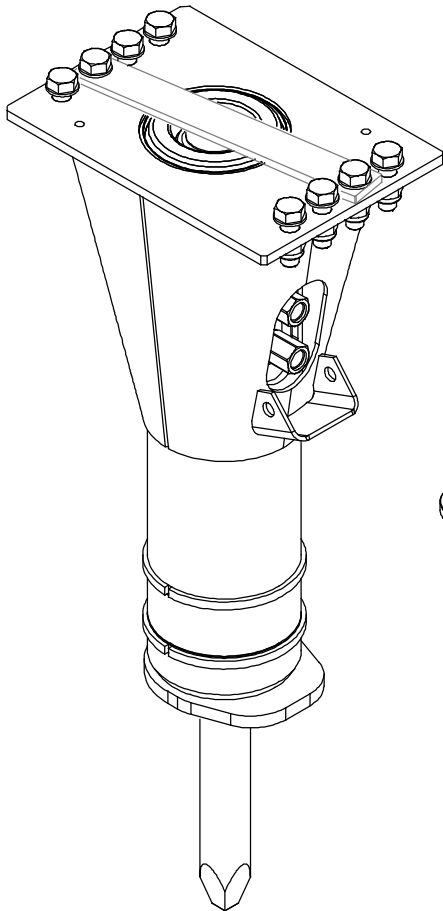




# SC-16

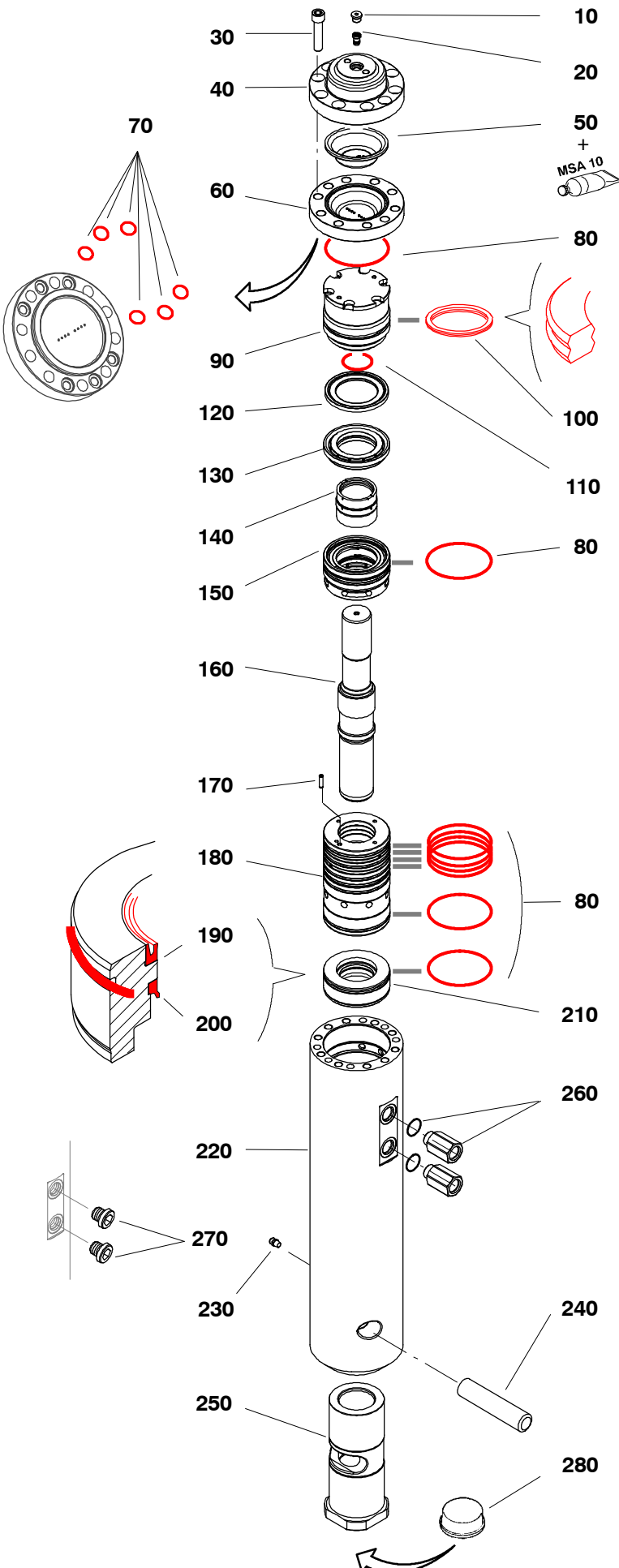
N/S : A00W 00100 ▶



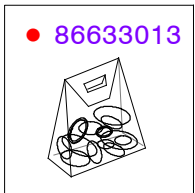
*Clip- Bucket*

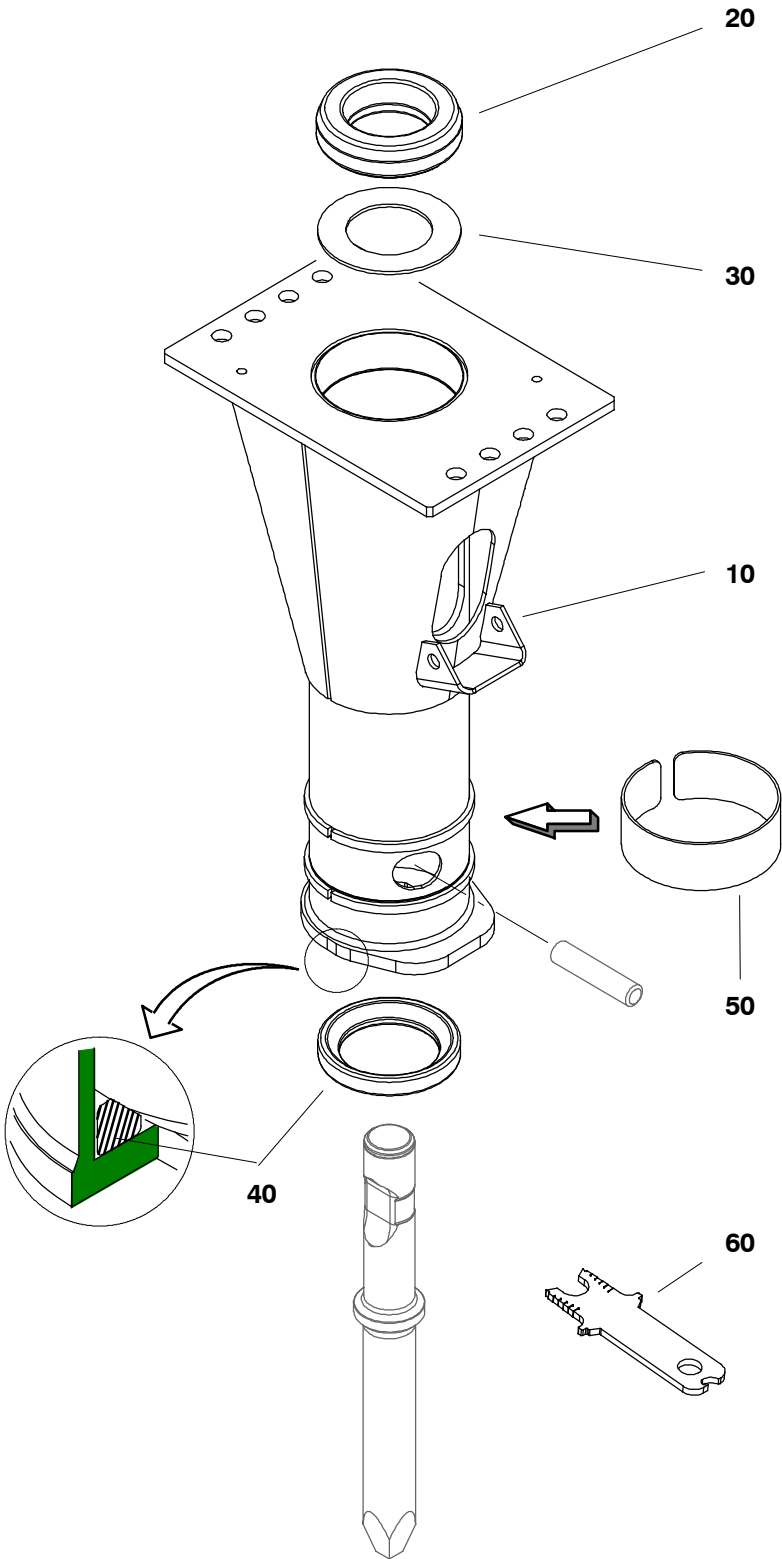
*Clip- Ram*



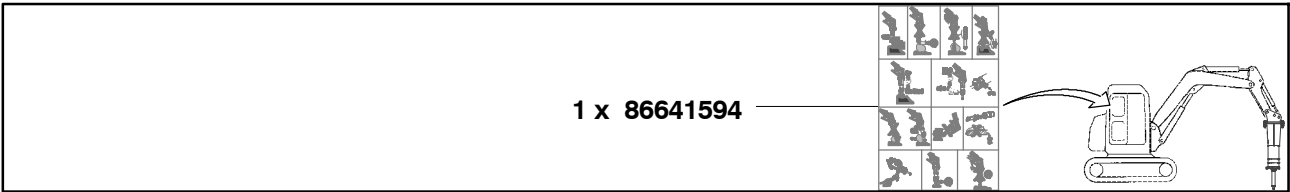
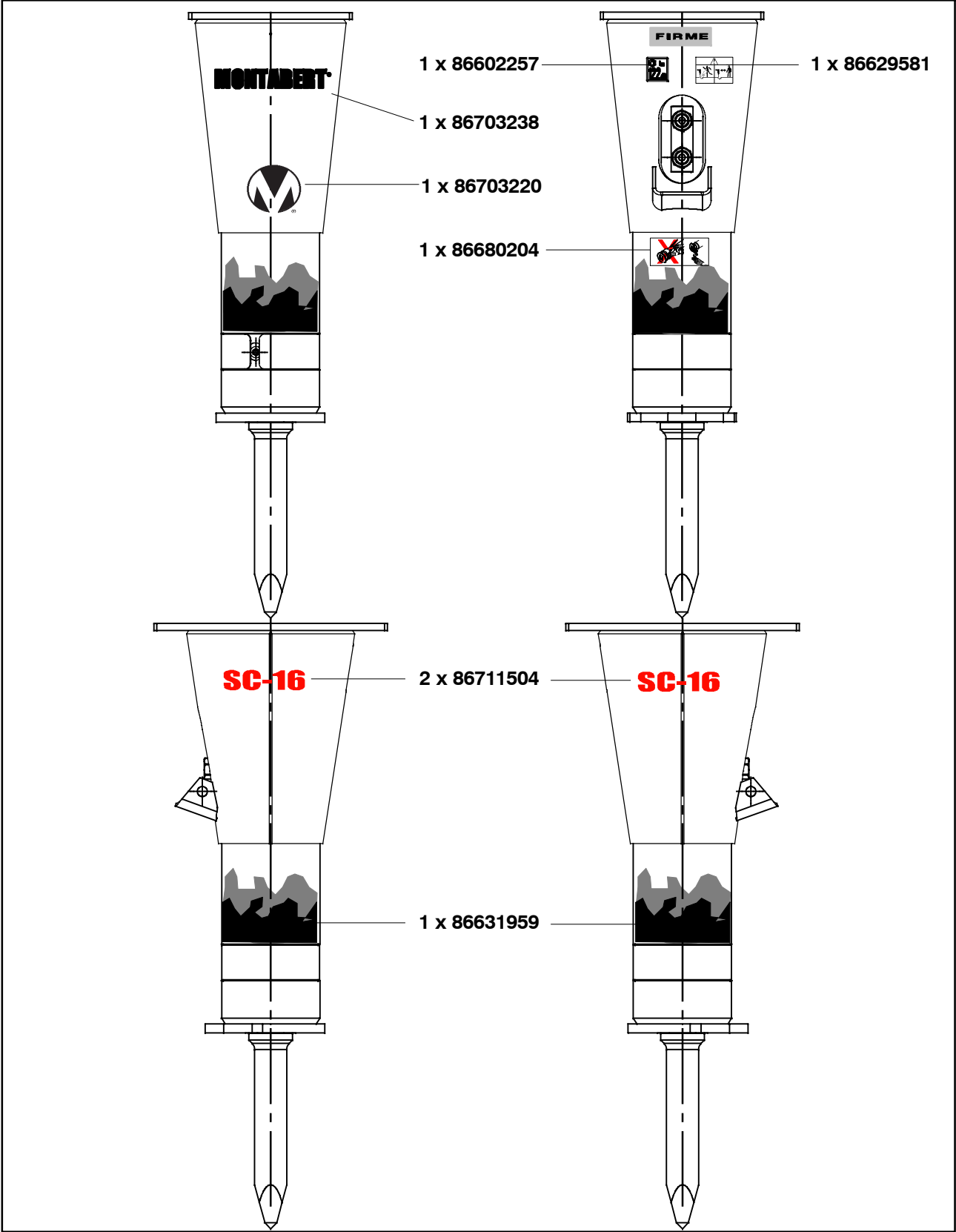


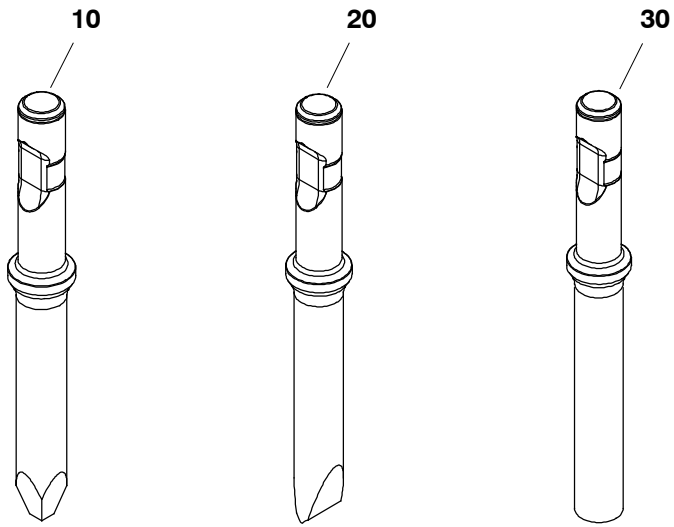
	x	CPN	Description
	??		
	10	1	86580966 Plug
	20	1	86600632 Valve
	30	10	86626066 Screw
	40	1	86625472 Upper flange
	50	1	86633948 Diaphragm
	60	1	86625464 Lower flange
	70	6	86352481 Seal
	80	8	86264926 O'ring
	90	1	86625563 Piston cover
	100	1	86629771 Seal
	110	1	86626108 Seal
	120	1	86626660 Valve
	130	1	86625555 Distributor cover
	140	1	86625548 Distributor
	150	1	86625530 Distribution box
	160	1	86625522 Strike piston
	170	1	86624160 Pin
	180	1	86625514 Cylinder
	190	1	86626090 Seal
	200	1	86626082 Scraper seal
	210	1	86625506 Seals casing
	220	1	86625498 Body
	230	1	86655354 Oiler
	240	1	86625647 Retaining pin
	250	1	86625571 Bushing
	260	2	86632361 Adaptor
	270	2	86632916 Threaded plug
	280	1	86632957 Plastic plug



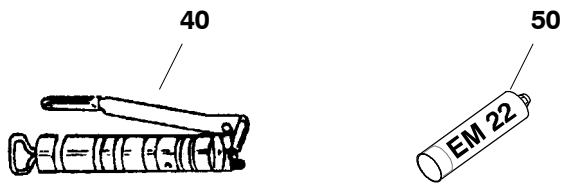


x	CPN	Description
10	1 86625597	Housing
20	1 86625613	Upper dampener
30	1 86625621	Bearing plate
40	1 86625605	Lower dampener
50	1 86625639	Retainer clamp
60	1 86629235	Check device

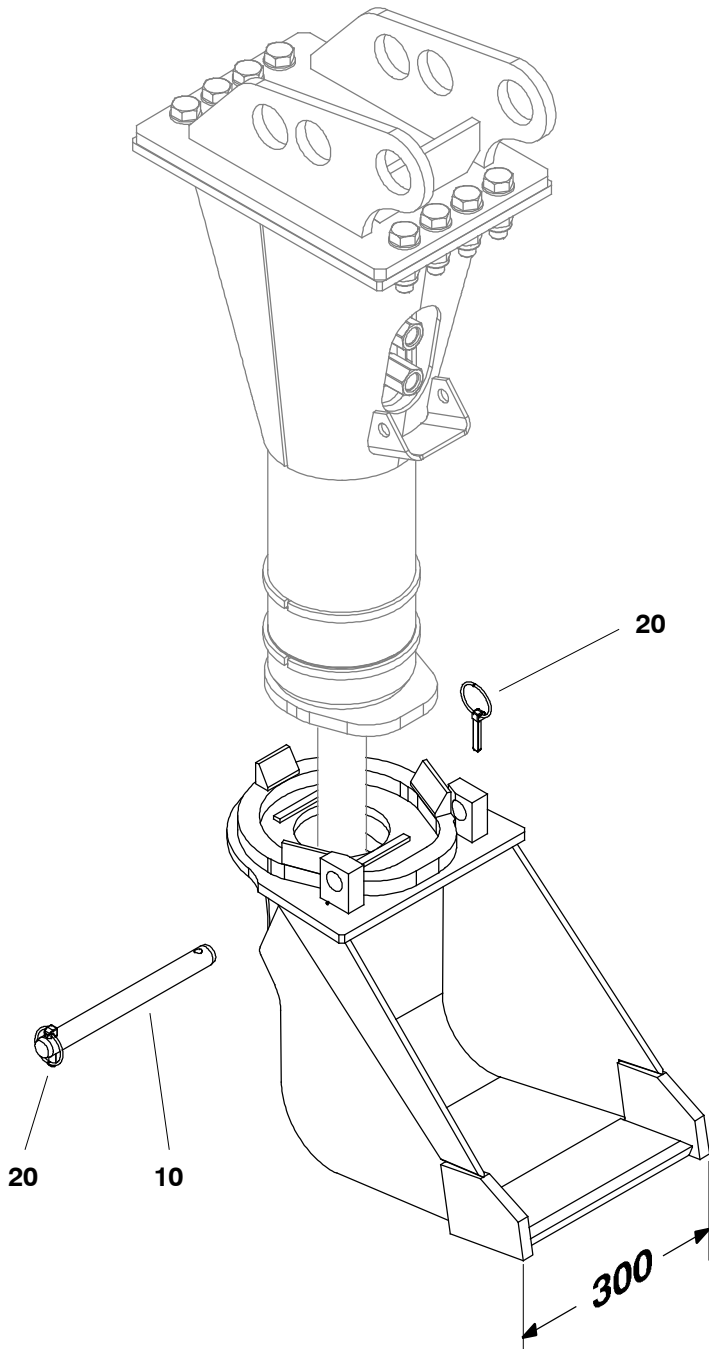




x	CPN	Description
10	1 86625688	Pyramidal point
20	1 86625670	Chisel
30	1 86638699	Blunt



40	1 86261328	Lubricating pump
50	1 86476314	Grease

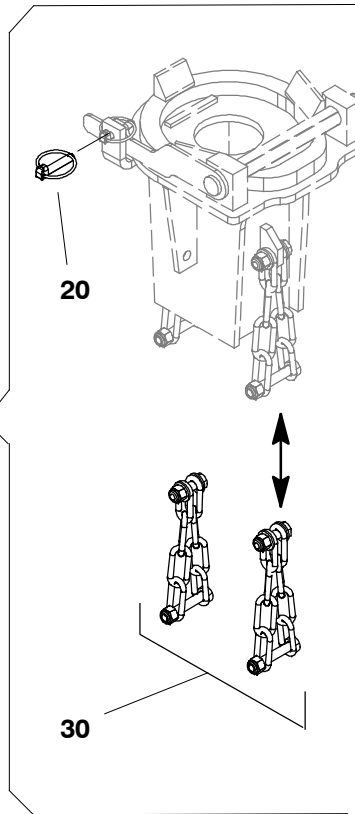
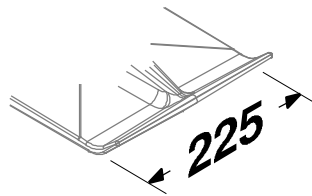
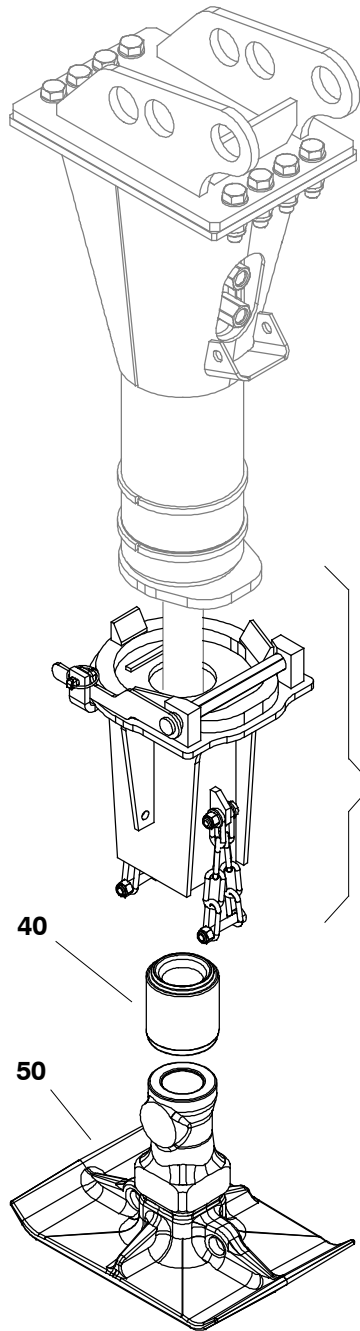


x	CPN	Description
10	1 86628773	Pin
20	2 86246279	Pin

## *Clip - Bucket*

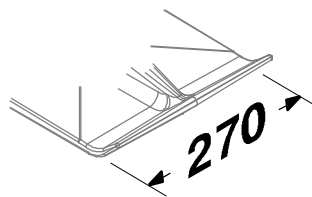
**86633658**

# Clip- Ram 86639796



x ??	CPN	Description
10	1	86634854 Clip ram frame
- 20	1	86246279 Pin
- 30	1	86637303 Chain
40	1	86634136 Clip ram ring
50	1	86639788 Clip ram base plate

# Clip- Ram 86634110



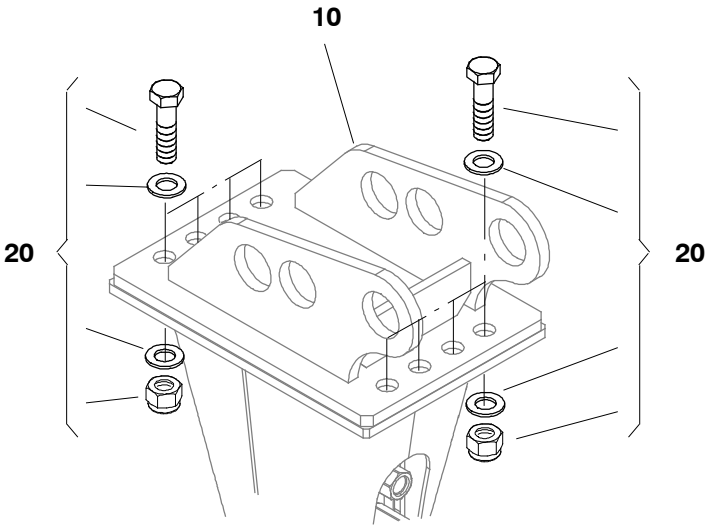
10	1	86634854	Clip ram frame
- 20	1	86246279	Pin
- 30	1	86637303	Chain
40	1	86634136	Clip ram ring
50	1	86634128	Base plate



x	CPN	Description
---	-----	-------------

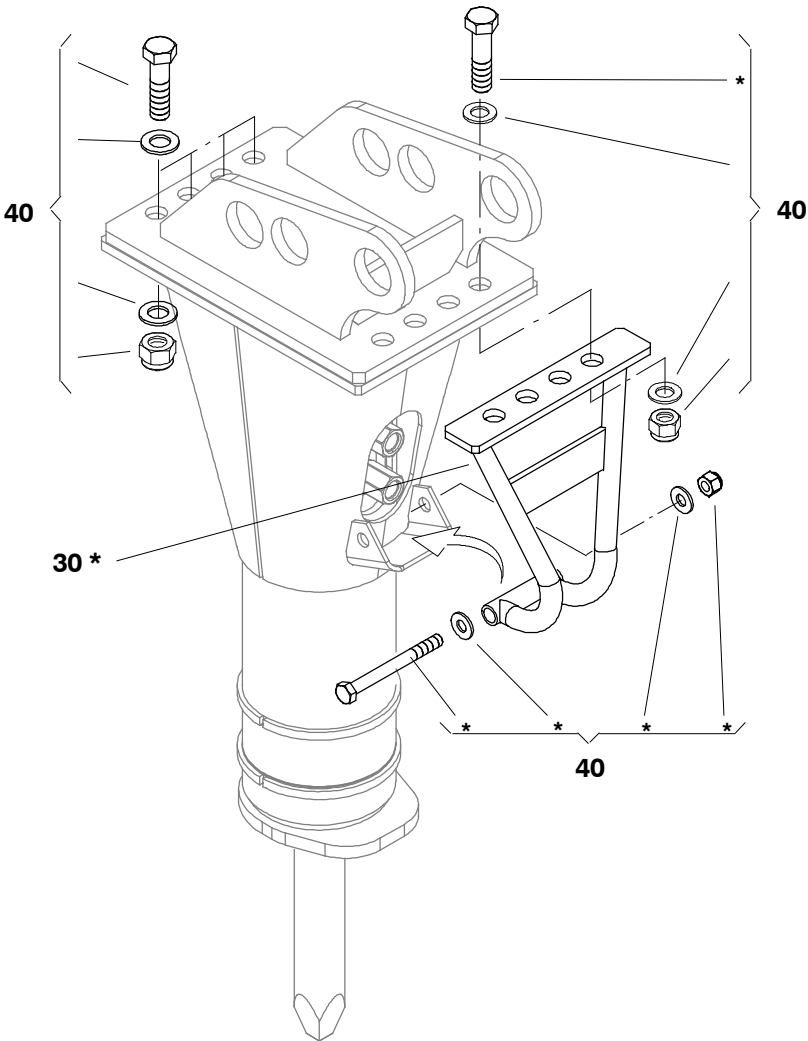
10	1	86579059	Fixing cap
----	---	----------	------------

20	1	86657202	Screw pack
----	---	----------	------------



30	1	86636594	Hose protection
----	---	----------	-----------------

40	1	86657251	Screw pack
----	---	----------	------------



*	1	86636719	Hose protection kit
---	---	----------	---------------------





---

**MONTABERT**

203 Route de Grenoble  
CS 80097  
69805 SAINT PRIEST  
FRANCE

[www.montabert.com](http://www.montabert.com)

